

NOTES

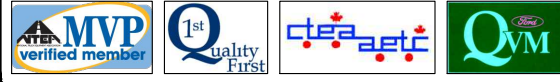
FILE NAME: 190607-S1\_SD29\_12 GALLARDO 3PT\_28 RL

CONTACT TURTLE TOP AT 800-269-2105 FOR AVAILABILITY OF THIS FLOOR LAYOUT IF DRAWING DATE HAS EXCEEDED 90 DAYS. DATE: 7/7/2023

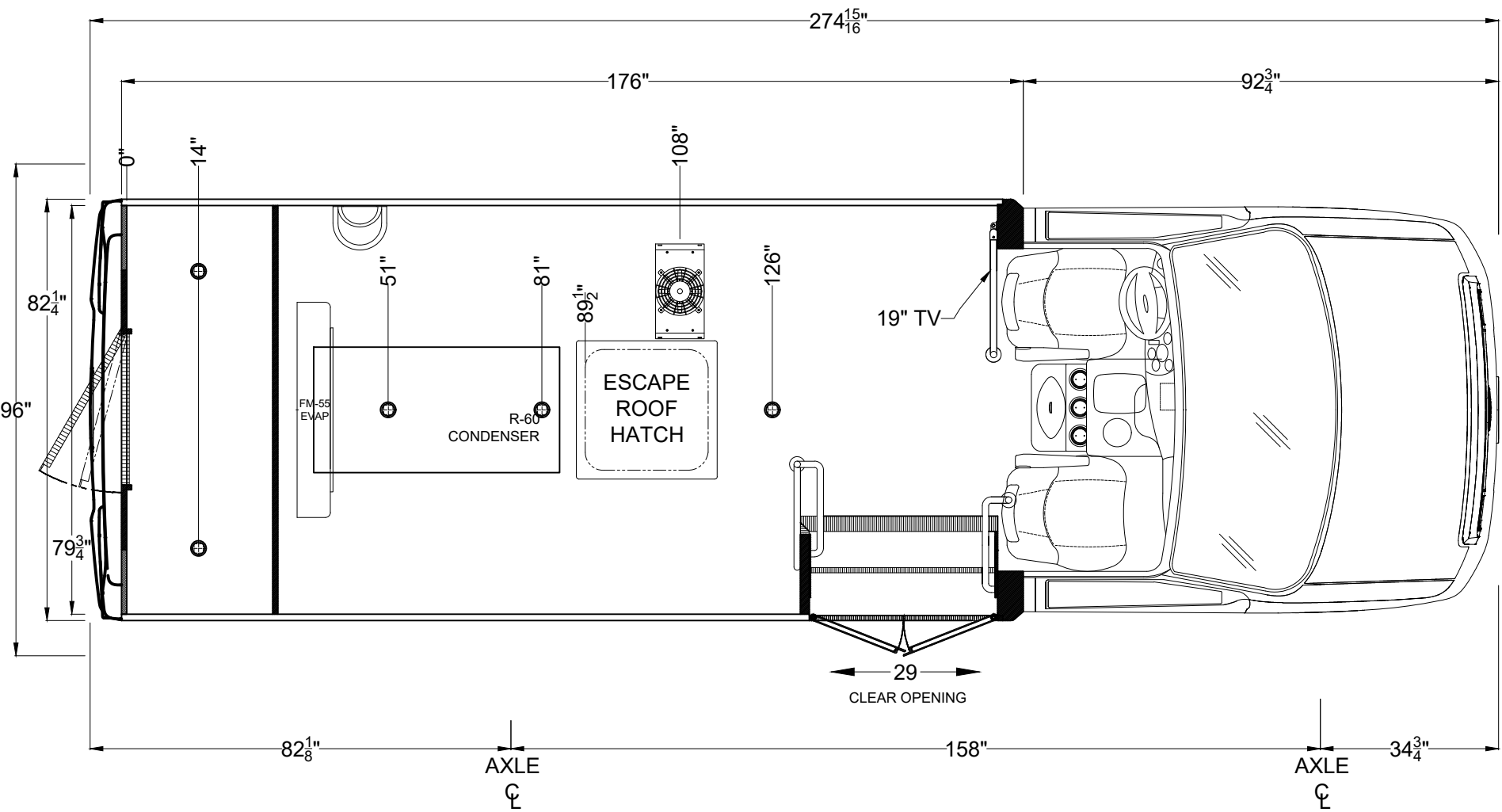
DRIVER SIDE: 38.125 / 29 / 2 / 2-3-4 / 11.875 / 4 ⊕ = EGRESS WINDOW  
**WINDOW SPACING:**  STANDARD  VISTA HEIGHT  ELITE  TOP "T" SLIDERS  
 PASSENGER SIDE: 38.125 / 29 / 2 / 2-3 / 5.125 / 36.75 / 1 / 4

DRAFTSMAN NOTES:  
 \*THIS DRAWING AND THE INFORMATION CONTAINED THEREON ARE THE EXCLUSIVE PROPERTY OF TURTLE TOP AND SHALL NOT BE COPIED OR DUPLICATED IN ANY MANNER WITHOUT OUR WRITTEN CONSENT.  
 \*SCENIC WINDOW OVER CAB

**TURTLE TOP**  
*"To furnish the customer the best mid-sized bus in the industry in both quality of material and workmanship."*



|   |                          |                      |                                      |                                   |                                       |
|---|--------------------------|----------------------|--------------------------------------|-----------------------------------|---------------------------------------|
| TURTLE TOP BODY MODEL:<br><b>VANTERRA XLT</b> |                          |                      | OVER ALL LENGTH:<br><b>22' 11.5"</b> | CHASSIS MAKE:<br><b>FORD E350</b> | ORDER NUMBER:<br><b>397600-397604</b> |
| DRAFTSMAN:<br><b>AND</b>                      | REVISION:<br><b>ORIG</b> | SCALE:<br><b>DNS</b> | FLOOR LENGTH:<br><b>176"</b>         | CHASSIS FUEL TYPE:<br><b>GAS</b>  | CHASSIS GVWR:<br><b>12,500 lbs.</b>   |
| DIMENSIONING TOLERANCE = +/- .3"              |                          |                      | DRAWING NUMBER:<br><b>ORDER</b>      |                                   |                                       |



NOTES

FILE NAME: 190607-S1\_SD29\_12 GALLARDO 3PT\_28 RL

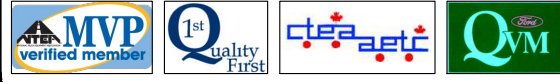
CONTACT TURTLE TOP AT 800-269-2105 FOR AVAILABILITY OF THIS FLOOR LAYOUT IF DRAWING DATE HAS EXCEEDED 90 DAYS. DATE: 7/7/2023

DRIVER SIDE: 38.125 / 29 / 2 / 2-3-4 / 11.875 / 4 ⊕ = EGRESS WINDOW  
**WINDOW SPACING:**  STANDARD  VISTA HEIGHT  ELITE  TOP "T" SLIDERS  
 PASSENGER SIDE: 38.125 / 29 / 2 / 2-3 / 5.125 / 36.75 / 1 / 4

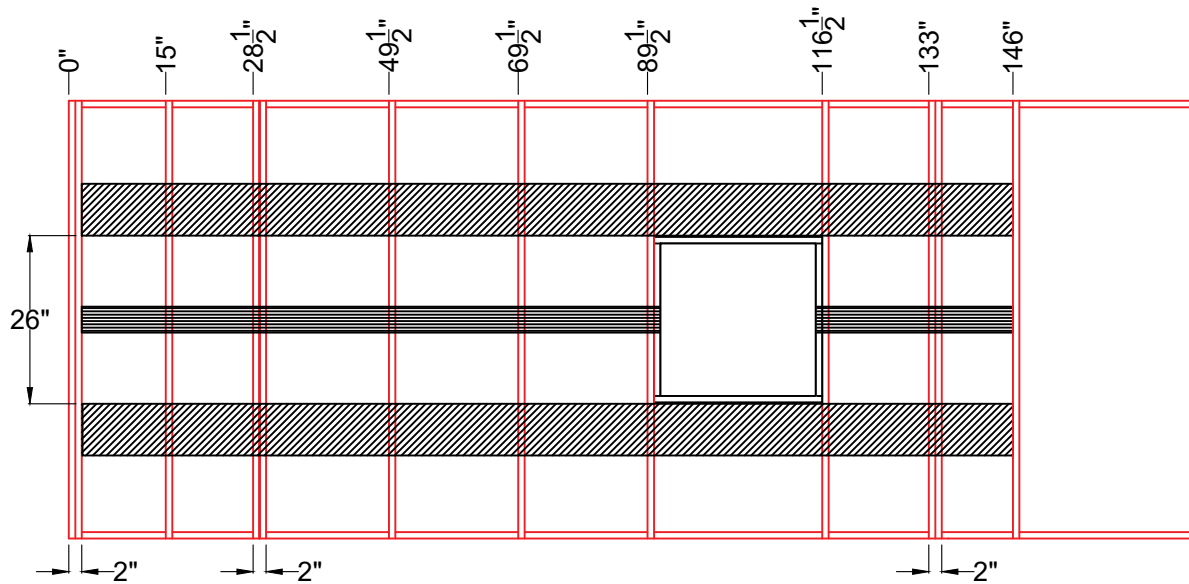
DRAFTSMAN NOTES:  
 \*SCENIC WINDOW OVER CAB

\*THIS DRAWING AND THE INFORMATION CONTAINED THEREON ARE THE EXCLUSIVE PROPERTY OF TURTLE TOP AND SHALL NOT BE COPIED OR DUPLICATED IN ANY MANNER WITHOUT OUR WRITTEN CONSENT\*

**TURTLE TOP**  
 "To furnish the customer the best mid-sized bus in the industry in both quality of material and workmanship."



|   |                          |                      |                                      |                                   |                                       |
|---|--------------------------|----------------------|--------------------------------------|-----------------------------------|---------------------------------------|
| TURTLE TOP BODY MODEL:<br><b>VANTERRA XLT</b> |                          |                      | OVER ALL LENGTH:<br><b>22' 11.5"</b> | CHASSIS MAKE:<br><b>FORD E350</b> | ORDER NUMBER:<br><b>397600-397604</b> |
| DRAFTSMAN:<br><b>AND</b>                      | REVISION:<br><b>ORIG</b> | SCALE:<br><b>DNS</b> | FLOOR LENGTH:<br><b>176"</b>         | CHASSIS FUEL TYPE:<br><b>GAS</b>  | CHASSIS GVWR:<br><b>12,500 lbs.</b>   |
| DIMENSIONING TOLERANCE = +/- .3"              |                          |                      |                                      |                                   | DRAWING NUMBER:<br><b>ORDER</b>       |



NOTES

FILE NAME: 190607-S1\_SD29\_12 GALLARDO 3PT\_28 RL

CONTACT TURTLE TOP AT 800-269-2105 FOR AVAILABILITY OF THIS FLOOR LAYOUT IF DRAWING DATE HAS EXCEEDED 90 DAYS.

DATE: 7/7/2023

DRIVER SIDE:  STANDARD  VISTA HEIGHT  ELITE  TOP "T" SLIDERS  EGRESS WINDOW

PASSENGER SIDE:

DRAFTSMAN NOTES:

\*SCENIC WINDOW OVER CAB

"THIS DRAWING AND THE INFORMATION CONTAINED THEREON ARE THE EXCLUSIVE PROPERTY OF TURTLE TOP AND SHALL NOT BE COPIED OR DUPLICATED IN ANY MANNER WITHOUT OUR WRITTEN CONSENT"

**TURTLE TOP**

*"To furnish the customer the best mid-sized bus in the industry in both quality of material and workmanship."*



|   |                          |                                      |                                     |                                       |
|---|--------------------------|--------------------------------------|-------------------------------------|---------------------------------------|
| TURTLE TOP BODY MODEL:<br><b>VANTERRA XLT</b> |                          | OVER ALL LENGTH:<br><b>22' 11.5"</b> | CHASSIS MAKE:<br><b>FORD E350</b>   | ORDER NUMBER:<br><b>397600-397604</b> |
| DRAFTSMAN:<br><b>AND</b>                      | REVISION:<br><b>ORIG</b> | SCALE:<br><b>DNS</b>                 | FLOOR LENGTH:<br><b>176"</b>        | DRAWING NUMBER:<br><b>ORDER</b>       |
| DIMENSIONING TOLERANCE = +/- .3"              |                          | CHASSIS FUEL TYPE:<br><b>GAS</b>     | CHASSIS GVWR:<br><b>12,500 lbs.</b> |                                       |