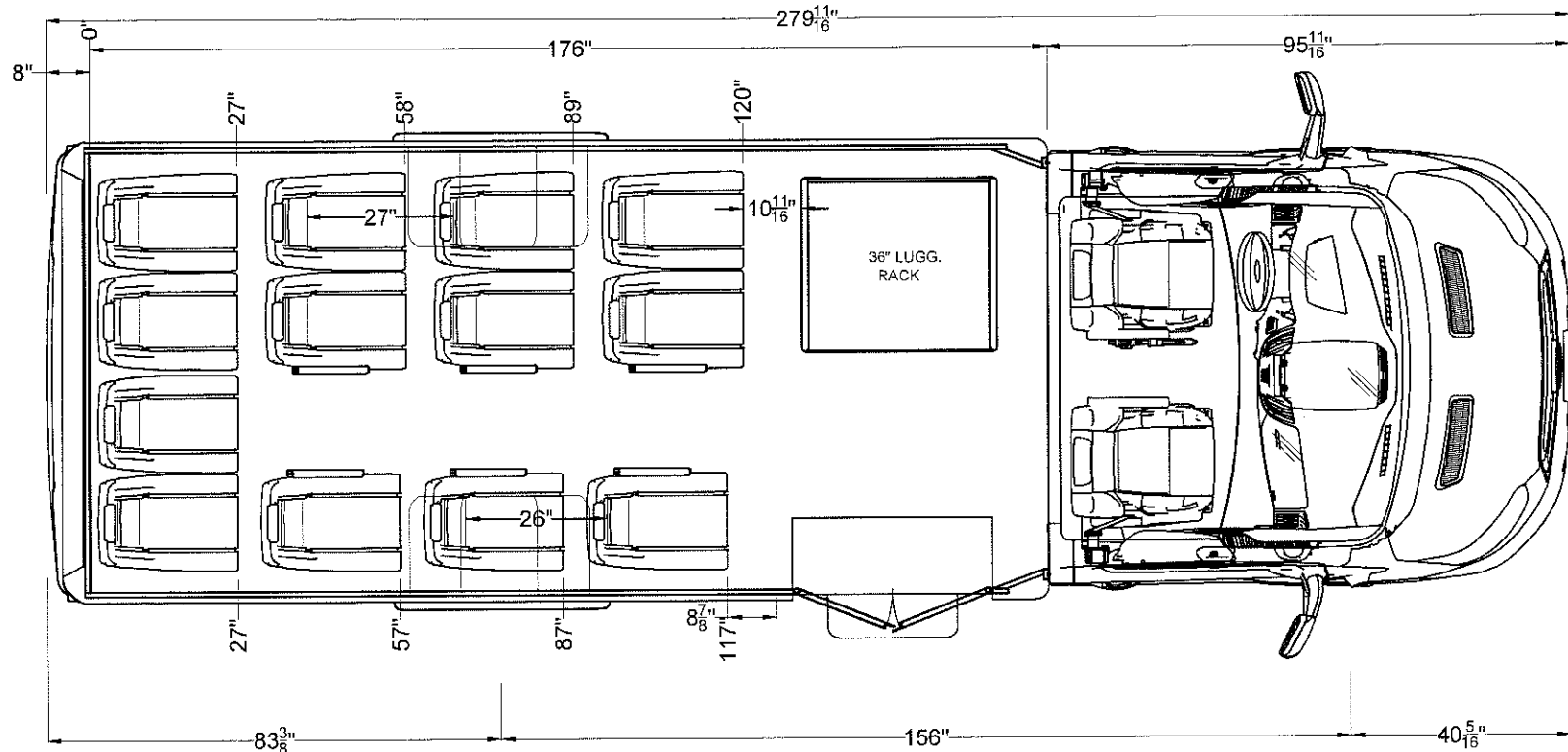


**PRELIMINARY**

THIS DRAWING IS FOR QUOTE PURPOSES ONLY.  
SEE DRAFTSMAN NOTES FOR DETAILS



**NOTES**

FILE NAME: 15 PASSENGER

ENGINEERING INTERVENTION WILL BE NECESSARY TO ENSURE THAT THIS CONFIGURATION IS PRODUCTION READY. EXTENDED LEAD TIMES ALONG WITH VARIANCES FROM THIS DRAWING MAY OCCUR.

DRIVER SIDE- WINDOW SPACING  STANDARD  VISTA HEIGHT  
PASSENGER SIDE-

= EGRESS WINDOW

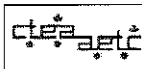
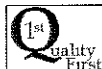
"THIS DRAWING AND THE INFORMATION CONTAINED THEREON ARE THE EXCLUSIVE PROPERTY OF TURTLE TOP AND SHALL NOT BE COPIED OR DUPLICATED IN ANY MANNER WITHOUT OUR WRITTEN CONSENT"

DRAFTSMAN NOTES:

CONTACT TURTLE TOP AT 800-269-2105 FOR AVAILABILITY OF THIS FLOOR LAYOUT IF DRAWING DATE HAS EXCEEDED 90 DAYS. DATE: 04/22/2015



**TURTLE TOP**  
"To furnish the customer the best mid-sized bus in the industry in both quality of material and workmanship."



TURTLE TOP BODY MODEL: VT3	OVER ALL LENGTH: 23' 4"	CHASSIS MODEL YEAR: 2015	CHASSIS MAKE: FORD TRANSIT	ORDER NUMBER: PROTO 4
DRAFTSMAN: DDN	SCALE: DNS	FLOOR LENGTH: 176"	CHASSIS GVWR: 10,360 lbs	DRAWING NUMBER:

DIMENSIONING TOLERANCE = +/- .3"