

**NOTES**

FILE NAME: 170712-L3\_FD29\_RLD\_12 FW SEATS\_1 DBL FOLDAWAY\_2 WC LOCATIONS (501334-336,501838)

CONTACT TURTLE TOP AT 800-269-2105 FOR AVAILABILITY OF THIS FLOOR LAYOUT IF DRAWING DATE HAS EXCEEDED 90 DAYS.

DATE: 10/29/2024

DS - 6.625/ 18.375/ 2/ 31/ 3-4-5/ 9.5/ 9.5  
 PS - 5.25/ 48.5/ 4.25/ 31/ 2/ 2-3/ 4.25/ 16.75

3 STEP ENTRY

**TERRA TRANSIT**

2 STEP ENTRY  
 W/ WHEEL WELLS

"THIS DRAWING AND THE INFORMATION CONTAINED THEREON ARE THE EXCLUSIVE PROPERTY OF TURTLE TOP AND SHALL NOT BE COPIED OR DUPLICATED IN ANY MANNER WITHOUT OUR WRITTEN CONSENT"

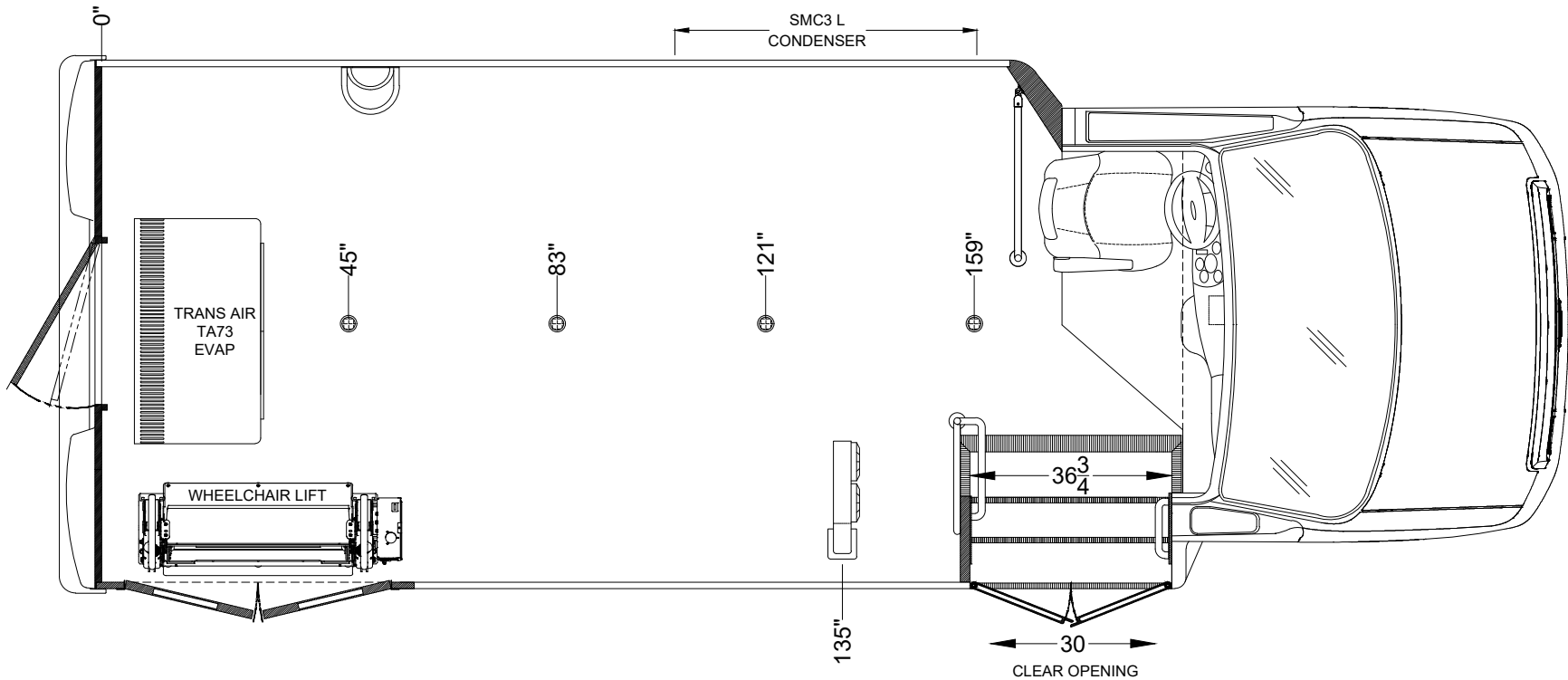
DRAFTSMAN NOTES:



**TURTLE TOP**  
 "To furnish the customer the best mid-sized bus in the industry in both quality of material and workmanship."



TURTLE TOP BODY MODEL: <b>TERRA TRANSIT</b>			OVER ALL LENGTH: <b>22' 11"</b>		CHASSIS MAKE: <b>FORD E450</b>		ORDER NUMBER: <b>ORDER</b>	
DRAFTSMAN: <b>AND</b>	REVISION: <b>ORIG</b>	SCALE: <b>DNS</b>	DIMENSIONING TOLERANCE = +/- .3"		FLOOR LENGTH: <b>175"</b>	CHASSIS FUEL TYPE: <b>7.3L GAS</b>	CHASSIS GVWR: <b>14,500 lbs.</b>	DRAWING NUMBER: <b>504096-504110</b>



NOTES

FILE NAME: 170712-L3\_FD29\_RLD\_12 FW SEATS\_1 DBL FOLDAWAY\_2 WC LOCATIONS (501334-336,501838)

CONTACT TURTLE TOP AT 800-269-2105 FOR AVAILABILITY OF THIS FLOOR LAYOUT IF DRAWING DATE HAS EXCEEDED 90 DAYS.

DATE: 10/29/2024

3 STEP ENTRY

TERRA TRANSIT

2 STEP ENTRY W/ WHEEL WELLS

"THIS DRAWING AND THE INFORMATION CONTAINED THEREON ARE THE EXCLUSIVE PROPERTY OF TURTLE TOP AND SHALL NOT BE COPIED OR DUPLICATED IN ANY MANNER WITHOUT OUR WRITTEN CONSENT"

DRAFTSMAN NOTES:



**TURTLE TOP**  
*"To furnish the customer the best mid-sized bus in the industry in both quality of material and workmanship."*



TURTLE TOP BODY MODEL: TERRA TRANSIT

OVER ALL LENGTH: 22' 11"

CHASSIS MAKE: FORD E450

ORDER NUMBER: ORDER

DRAFTSMAN: AND REVISION: ORIG

SCALE: DNS

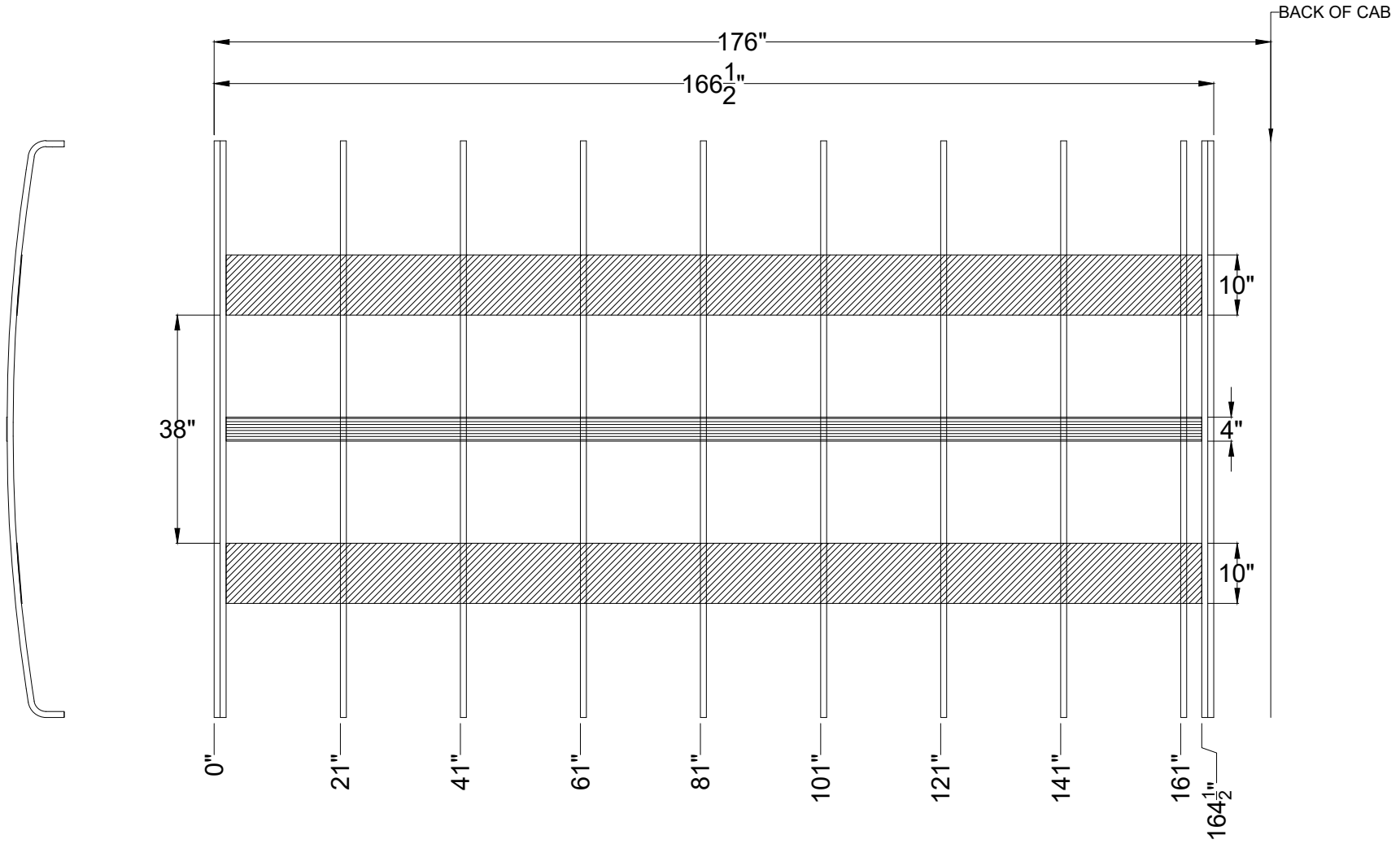
DIMENSIONING TOLERANCE = +/- 3"

FLOOR LENGTH: 175"

CHASSIS FUEL TYPE: 7.3L GAS

CHASSIS GVWR: 14,500 lbs.

DRAWING NUMBER: 504096-504110



**NOTES**

FILE NAME: 170712-L3\_FD29\_RLD\_12 FW SEATS\_1 DBL FOLDAWAY\_2 WC LOCATIONS (501334-336,501838)

CONTACT TURTLE TOP AT 800-269-2105 FOR AVAILABILITY OF THIS FLOOR LAYOUT IF DRAWING DATE HAS EXCEEDED 90 DAYS. DATE: 10/29/2024

3 STEP ENTRY

**TERRA TRANSIT**

2 STEP ENTRY W/ WHEEL WELLS

"THIS DRAWING AND THE INFORMATION CONTAINED THEREON ARE THE EXCLUSIVE PROPERTY OF TURTLE TOP AND SHALL NOT BE COPIED OR DUPLICATED IN ANY MANNER WITHOUT OUR WRITTEN CONSENT"

DRAFTSMAN NOTES:

---



---



---



---

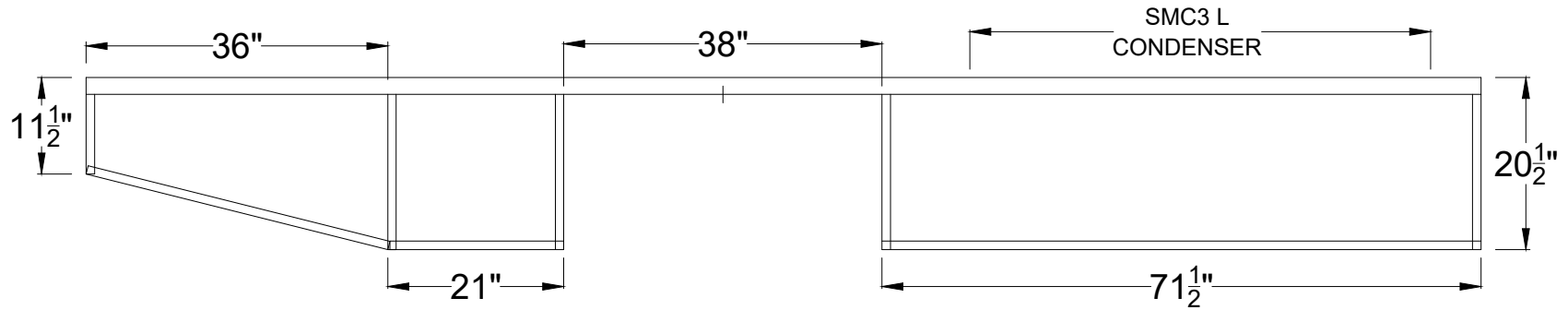


**TURTLE TOP**  
*"To furnish the customer the best mid-sized bus in the industry in both quality of material and workmanship."*

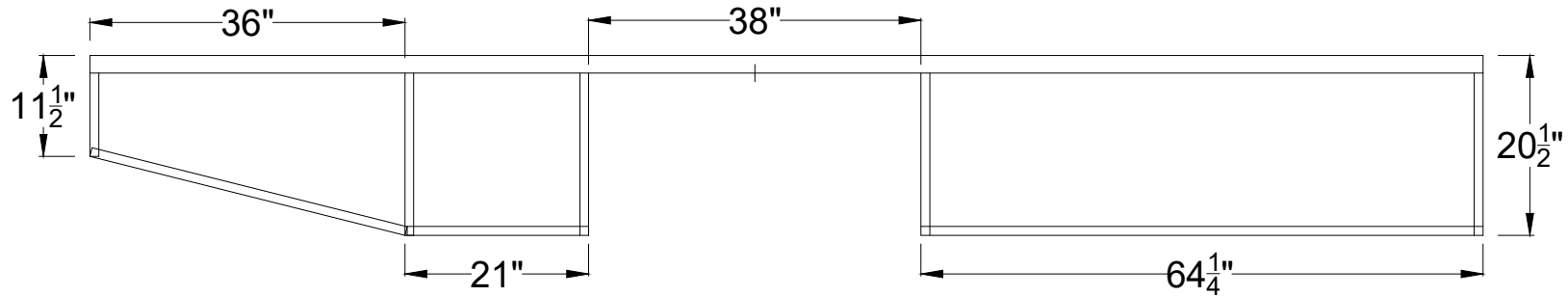


DRAFTSMAN: AND		REVISION: ORIG	SCALE: DNS	TURTLE TOP BODY MODEL: TERRA TRANSIT	OVER ALL LENGTH: 22' 11"	CHASSIS MAKE: FORD E450	ORDER NUMBER: ORDER
DIMENSIONING TOLERANCE = +/- .3"				FLOOR LENGTH: 175"	CHASSIS FUEL TYPE: 7.3L GAS	CHASSIS GVWR: 14,500 lbs.	DRAWING NUMBER: 504096-504110

## ROAD SIDE SKIRTS



## CURB SIDE SKIRTS



### NOTES

FILE NAME: 170712-L3\_FD29\_RLD\_12 FW SEATS\_1 DBL FOLDAWAY\_2 WC LOCATIONS (501334-336,501838)

CONTACT TURTLE TOP AT 800-269-2105 FOR AVAILABILITY OF THIS FLOOR LAYOUT IF DRAWING DATE HAS EXCEEDED 90 DAYS.

DATE: 10/29/2024

3 STEP ENTRY

## TERRA TRANSIT

2 STEP ENTRY W/ WHEEL WELLS

DRAFTSMAN NOTES:

"THIS DRAWING AND THE INFORMATION CONTAINED THEREON ARE THE EXCLUSIVE PROPERTY OF TURTLE TOP AND SHALL NOT BE COPIED OR DUPLICATED IN ANY MANNER WITHOUT OUR WRITTEN CONSENT"



**TURTLE TOP**  
*"To furnish the customer the best mid-sized bus in the industry in both quality of material and workmanship."*



TURTLE TOP BODY MODEL:  
TERRA TRANSIT

OVER ALL LENGTH:  
22' 11"

CHASSIS MAKE:  
FORD E450

ORDER NUMBER:  
ORDER

DRAFTSMAN: AND REVISION: ORIG

SCALE: DNS

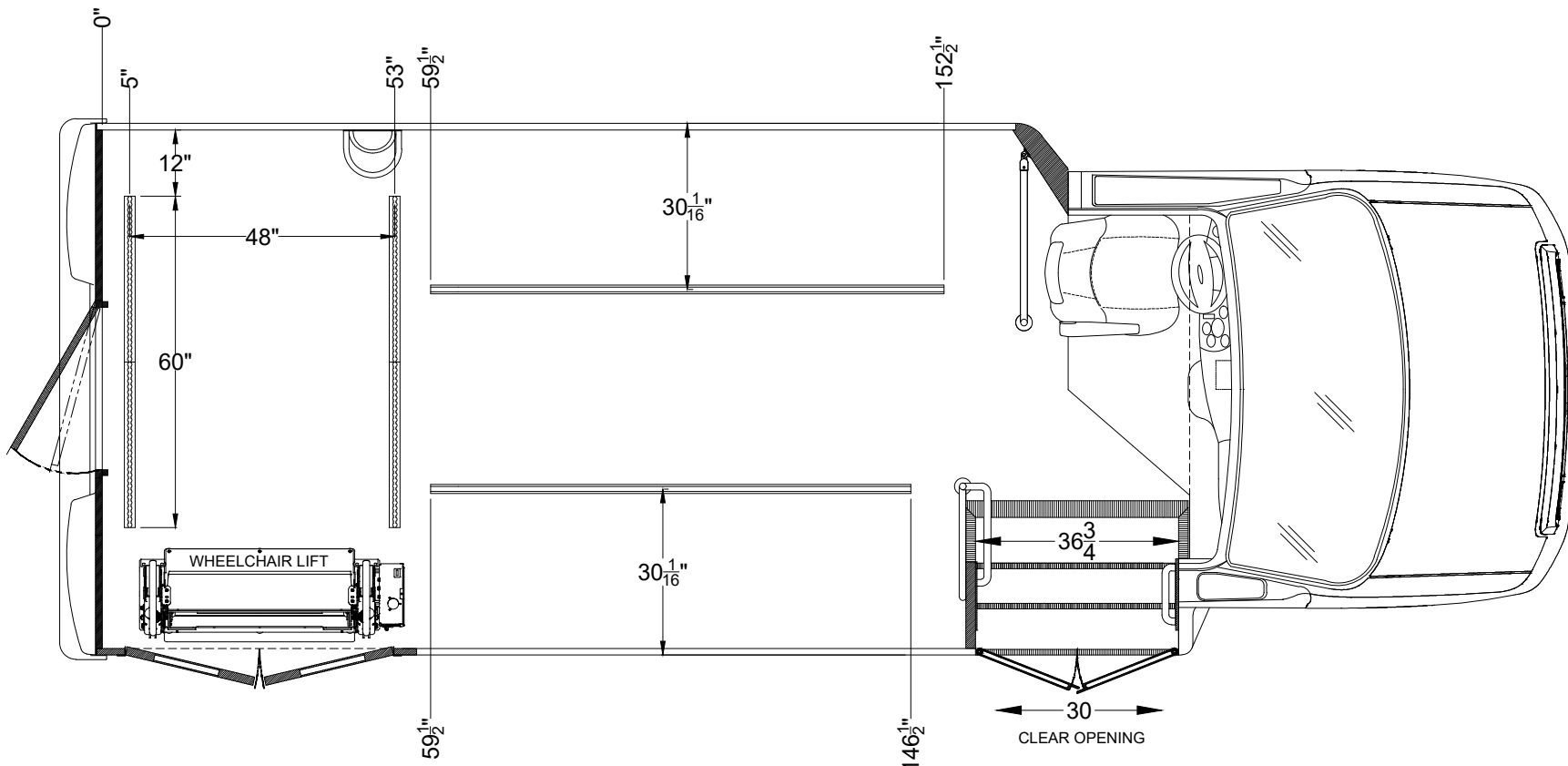
DIMENSIONING TOLERANCE = +/- .3"

FLOOR LENGTH:  
175"

CHASSIS FUEL TYPE:  
7.3L GAS

CHASSIS GVWR:  
14,500 lbs.

DRAWING NUMBER:  
504096-504110



NOTES

FILE NAME: 170712-L3\_FD29\_RLD\_12 FW SEATS\_1 DBL FOLDAWAY\_2 WC LOCATIONS (501334-336,501838)

CONTACT TURTLE TOP AT 800-269-2105 FOR AVAILABILITY OF THIS FLOOR LAYOUT IF DRAWING DATE HAS EXCEEDED 90 DAYS.

DATE: 10/29/2024

3 STEP ENTRY

TERRA TRANSIT

2 STEP ENTRY W/ WHEEL WELLS

"THIS DRAWING AND THE INFORMATION CONTAINED THEREON ARE THE EXCLUSIVE PROPERTY OF TURTLE TOP AND SHALL NOT BE COPIED OR DUPLICATED IN ANY MANNER WITHOUT OUR WRITTEN CONSENT"

DRAFTSMAN NOTES:



**TURTLE TOP**  
*"To furnish the customer the best mid-sized bus in the industry in both quality of material and workmanship."*



TURTLE TOP BODY MODEL: TERRA TRANSIT

OVER ALL LENGTH: 22' 11"

CHASSIS MAKE: FORD E450

ORDER NUMBER: ORDER

DRAFTSMAN: AND REVISION: ORIG

SCALE: DNS

DIMENSIONING TOLERANCE = +/- .3"

FLOOR LENGTH: 175"

CHASSIS FUEL TYPE: 7.3L GAS

CHASSIS GVWR: 14,500 lbs.

DRAWING NUMBER: 504096-504110