

NOTES

FILE NAME: 200403-S1_FD29_RLD_10 FW_2 WC LOCATIONS (502115)

CONTACT TURTLE TOP AT 800-269-2105 FOR AVAILABILITY OF THIS FLOOR LAYOUT IF DRAWING DATE HAS EXCEEDED 90 DAYS. DATE: 10/29/2024

DS- 4.625/ 18.375/ 2/ 31/ 2/ 3-4-5/ 11.5/ 9.5
 PS- 5.25 / 48.5/ 4.25/ 31/ 2/ 2-3/ 4.25/ 16.75

3 STEP ENTRY **TERRA TRANSIT** 2 STEP ENTRY W/ WHEEL WELLS

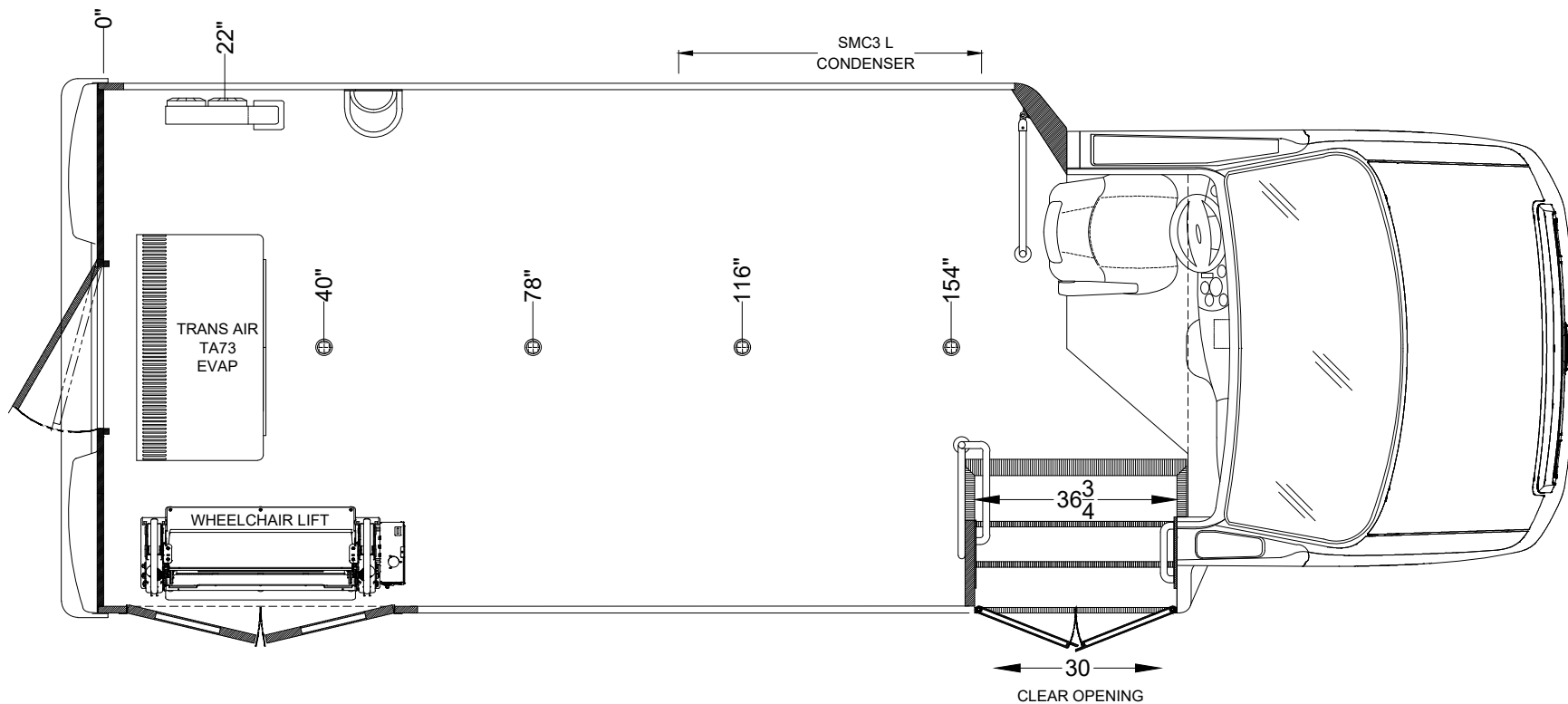
"THIS DRAWING AND THE INFORMATION CONTAINED THEREON ARE THE EXCLUSIVE PROPERTY OF TURTLE TOP AND SHALL NOT BE COPIED OR DUPLICATED IN ANY MANNER WITHOUT OUR WRITTEN CONSENT"

DRAFTSMAN NOTES:
 FRONT CS WC POSITION NON-STD SIZE - 30"x42"

TURTLE TOP
"To furnish the customer the best mid-sized bus in the industry in both quality of material and workmanship."



DRAFTSMAN: AND		REVISION: ORIG	SCALE: DNS	TURTLE TOP BODY MODEL: TERRA TRANSIT	OVER ALL LENGTH: 22' 11.5"	CHASSIS MAKE: FORD E450	ORDER NUMBER: ORDER
DIMENSIONING TOLERANCE = +/- .3"				FLOOR LENGTH: 175"	CHASSIS FUEL TYPE: GAS	CHASSIS GVWR: 14,500 lbs.	DRAWING NUMBER: 504111-504125



NOTES

FILE NAME: 200403-S1_FD29_RLD_10 FW_2 WC LOCATIONS

CONTACT TURTLE TOP AT 800-269-2105 FOR AVAILABILITY OF THIS FLOOR LAYOUT IF DRAWING DATE HAS EXCEEDED 90 DAYS.

DATE: 10/29/2024

3 STEP ENTRY

TERRA TRANSIT

2 STEP ENTRY
W/ WHEEL WELLS

"THIS DRAWING AND THE INFORMATION CONTAINED THEREON ARE THE EXCLUSIVE PROPERTY OF TURTLE TOP AND SHALL NOT BE COPIED OR DUPLICATED IN ANY MANNER WITHOUT OUR WRITTEN CONSENT"

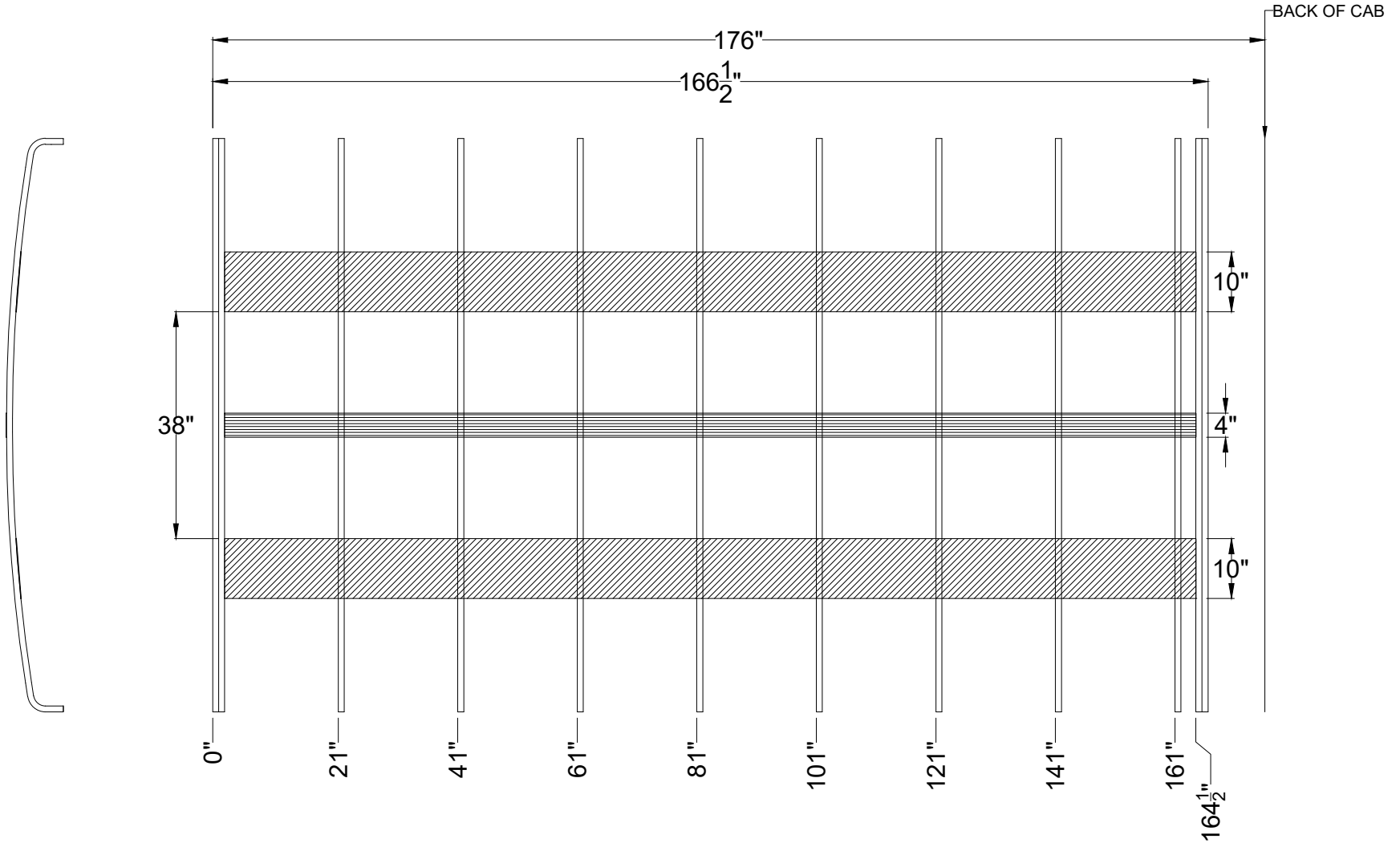
DRAFTSMAN NOTES:
FRONT CS WC POSITION NON-STD SIZE - 30"x42"



TURTLE TOP
"To furnish the customer the best mid-sized bus in the industry in both quality of material and workmanship."



DRAFTSMAN: AND		REVISION: ORIG	SCALE: DNS	TURTLE TOP BODY MODEL: TERRA TRANSIT	OVER ALL LENGTH: 22' 11.5"	CHASSIS MAKE: FORD E450	ORDER NUMBER: ORDER
DIMENSIONING TOLERANCE = +/- 3"				FLOOR LENGTH: 175"	CHASSIS FUEL TYPE: GAS	CHASSIS GVWR: 14,500 lbs.	DRAWING NUMBER: 504111-504125



NOTES

FILE NAME: 200403-S1_FD29_RLD_10 FW_2 WC LOCATIONS

CONTACT TURTLE TOP AT 800-269-2105 FOR AVAILABILITY OF THIS FLOOR LAYOUT IF DRAWING DATE HAS EXCEEDED 90 DAYS. DATE: 10/29/2024

3 STEP ENTRY
 2 STEP ENTRY W/ WHEEL WELLS

TERRA TRANSIT

THIS DRAWING AND THE INFORMATION CONTAINED THEREON ARE THE EXCLUSIVE PROPERTY OF TURTLE TOP AND SHALL NOT BE COPIED OR DUPLICATED IN ANY MANNER WITHOUT OUR WRITTEN CONSENT

DRAFTSMAN NOTES:

FRONT CS WC POSITION NON-STD SIZE - 30"x42"

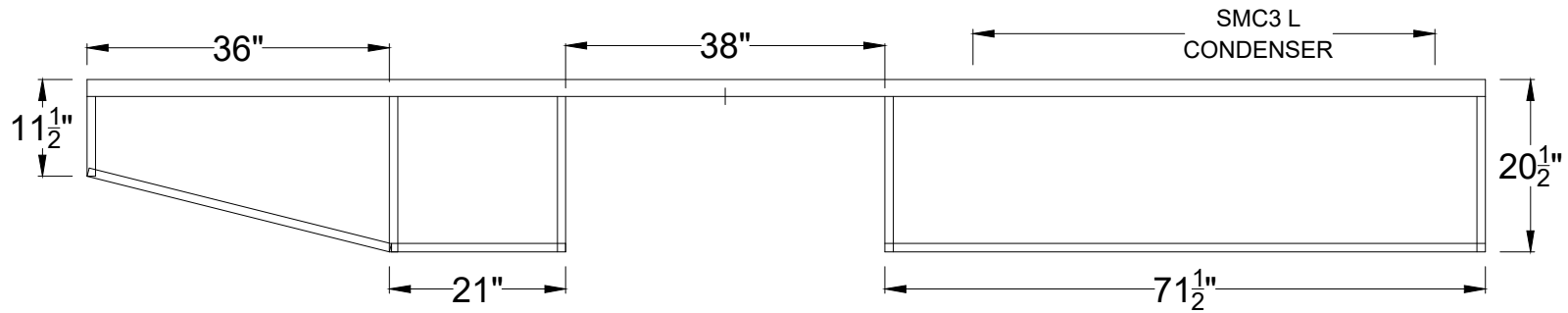
TURTLE TOP

"To furnish the customer the best mid-sized bus in the industry in both quality of material and workmanship."

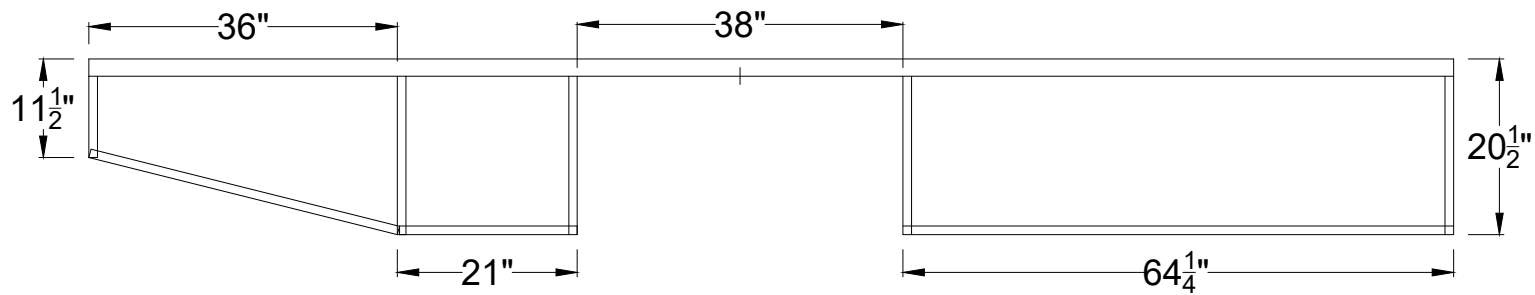


DRAFTSMAN: AND		REVISION: ORIG	SCALE: DNS	TURTLE TOP BODY MODEL: TERRA TRANSIT		OVER ALL LENGTH: 22' 11.5"	CHASSIS MAKE: FORD E450	ORDER NUMBER: ORDER
DIMENSIONING TOLERANCE = +/- 3"				FLOOR LENGTH: 175"	CHASSIS FUEL TYPE: GAS	CHASSIS GVWR: 14,500 lbs.	DRAWING NUMBER: 504111-504125	

ROAD SIDE SKIRTS



CURB SIDE SKIRTS



NOTES

FILE NAME: 200403-S1_FD29_RLD_10 FW_2 WC LOCATIONS

CONTACT TURTLE TOP AT 800-269-2105 FOR AVAILABILITY OF THIS FLOOR LAYOUT IF DRAWING DATE HAS EXCEEDED 90 DAYS.

DATE: 10/29/2024

3 STEP ENTRY

TERRA TRANSIT

2 STEP ENTRY
W/ WHEEL WELLS

"THIS DRAWING AND THE INFORMATION CONTAINED THEREON ARE THE EXCLUSIVE PROPERTY OF TURTLE TOP AND SHALL NOT BE COPIED OR DUPLICATED IN ANY MANNER WITHOUT OUR WRITTEN CONSENT"

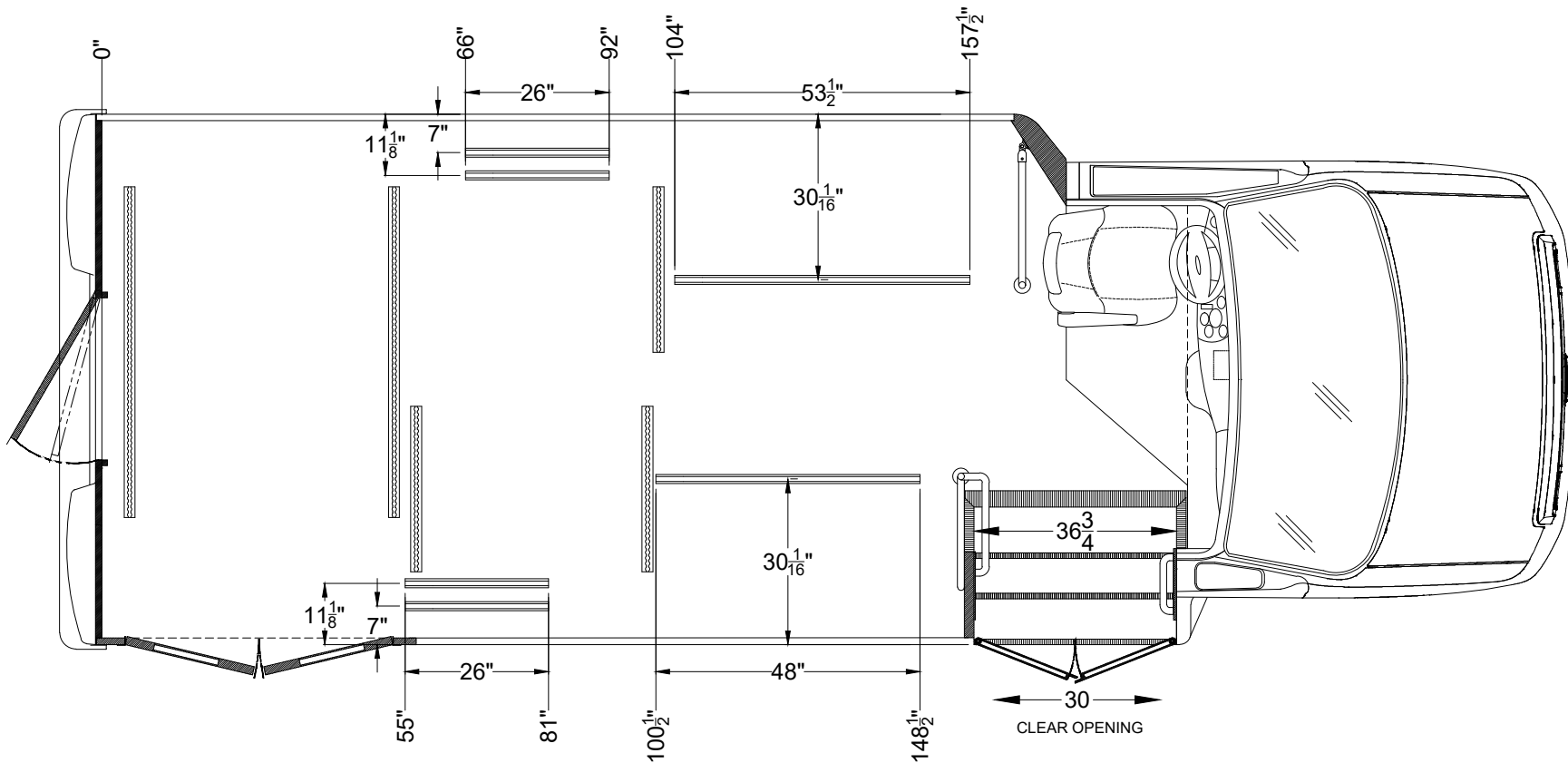
DRAFTSMAN NOTES:
FRONT CS WC POSITION NON-STD SIZE - 30"x42"



TURTLE TOP
"To furnish the customer the best mid-sized bus in the industry in both quality of material and workmanship."



DRAFTSMAN: AND		REVISION: ORIG	SCALE: DNS	TURTLE TOP BODY MODEL: TERRA TRANSIT		OVER ALL LENGTH: 22' 11.5"	CHASSIS MAKE: FORD E450	ORDER NUMBER: ORDER
DIMENSIONING TOLERANCE = +/- 3"				FLOOR LENGTH: 175"	CHASSIS FUEL TYPE: GAS	CHASSIS GVWR: 14,500 lbs.	DRAWING NUMBER: 504111-504125	



NOTES

FILE NAME: 200403-S1_FD29_RLD_10 FW_2 WC LOCATIONS

CONTACT TURTLE TOP AT 800-269-2105 FOR AVAILABILITY OF THIS FLOOR LAYOUT IF DRAWING DATE HAS EXCEEDED 90 DAYS.

DATE: 10/29/2024

*SEAT TRACK PRINT
SEE ADDITIONAL PRINT FOR WC DIMS

3 STEP ENTRY **TERRA TRANSIT** 2 STEP ENTRY W/ WHEEL WELLS

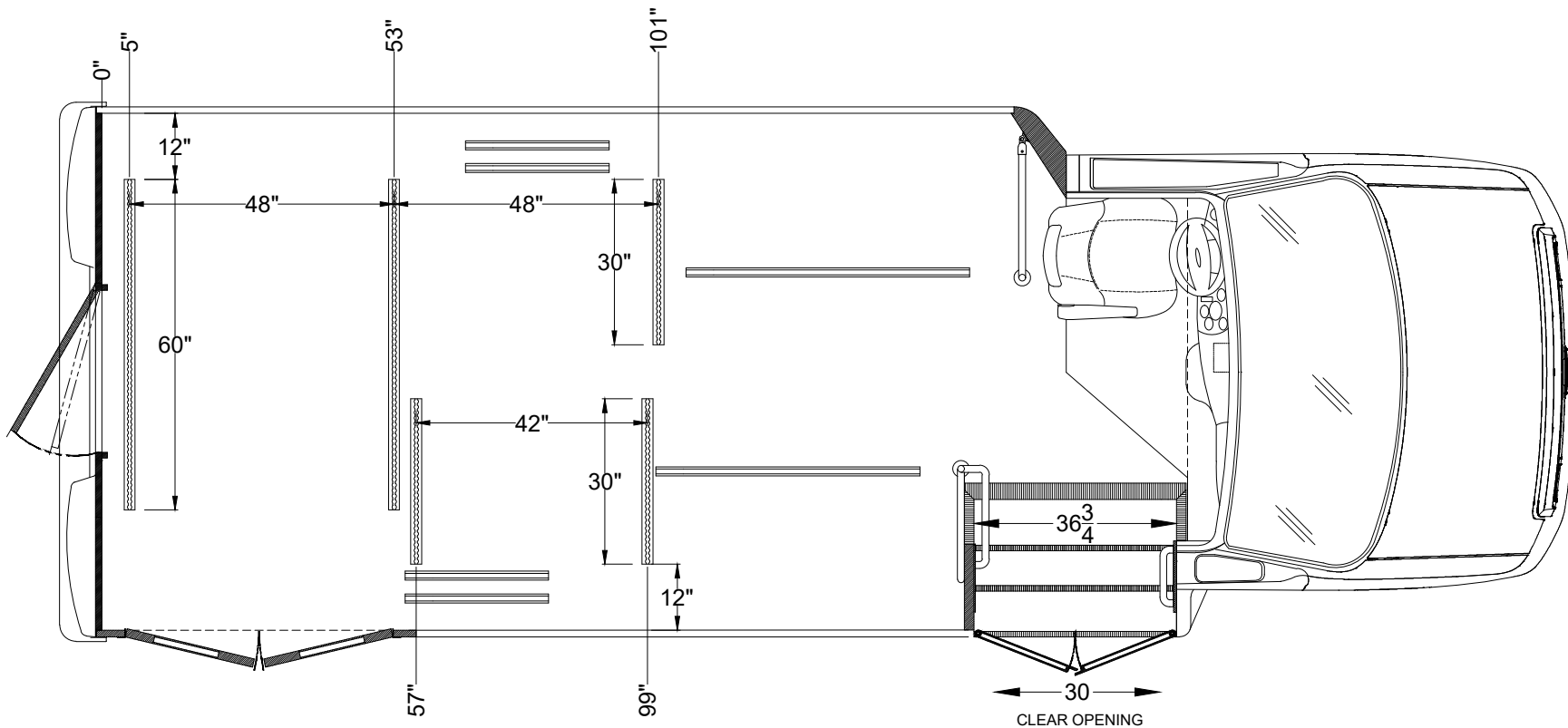
"THIS DRAWING AND THE INFORMATION CONTAINED THEREON ARE THE EXCLUSIVE PROPERTY OF TURTLE TOP AND SHALL NOT BE COPIED OR DUPLICATED IN ANY MANNER WITHOUT OUR WRITTEN CONSENT"

DRAFTSMAN NOTES:
FRONT CS WC POSITION NON-STD SIZE - 30"x42"

TURTLE TOP
"To furnish the customer the best mid-sized bus in the industry in both quality of material and workmanship."



DRAFTSMAN: AND		REVISION: ORIG	SCALE: DNS	TURTLE TOP BODY MODEL: TERRA TRANSIT		OVER ALL LENGTH: 22' 11.5"	CHASSIS MAKE: FORD E450	ORDER NUMBER: ORDER
DIMENSIONING TOLERANCE = +/- 3"				FLOOR LENGTH: 175"	CHASSIS FUEL TYPE: GAS	CHASSIS GVWR: 14,500 lbs.	DRAWING NUMBER: 504111-504125	



NOTES

FILE NAME: 200403-S1_FD29_RLD_10 FW_2 WC LOCATIONS

CONTACT TURTLE TOP AT 800-269-2105 FOR AVAILABILITY OF THIS FLOOR LAYOUT IF DRAWING DATE HAS EXCEEDED 90 DAYS.

DATE: 10/29/2024

*WC DIMENSION PRINT
SEE ADDITIONAL PRINT FOR SEAT TRACK DIMS

3 STEP ENTRY

TERRA TRANSIT

2 STEP ENTRY
W/ WHEEL WELLS

"THIS DRAWING AND THE INFORMATION CONTAINED THEREON ARE THE EXCLUSIVE PROPERTY OF TURTLE TOP AND SHALL NOT BE COPIED OR DUPLICATED IN ANY MANNER WITHOUT OUR WRITTEN CONSENT"

DRAFTSMAN NOTES:
FRONT CS WC POSITION NON-STD SIZE - 30"x42"



TURTLE TOP
"To furnish the customer the best mid-sized bus in the industry in both quality of material and workmanship."



DRAFTSMAN: AND		REVISION: ORIG	SCALE: DNS	TURTLE TOP BODY MODEL: TERRA TRANSIT		OVER ALL LENGTH: 22' 11.5"	CHASSIS MAKE: FORD E450	ORDER NUMBER: ORDER
DIMENSIONING TOLERANCE = +/- 3"				FLOOR LENGTH: 175"	CHASSIS FUEL TYPE: GAS	CHASSIS GVWR: 14,500 lbs.	DRAWING NUMBER: 504111-504125	