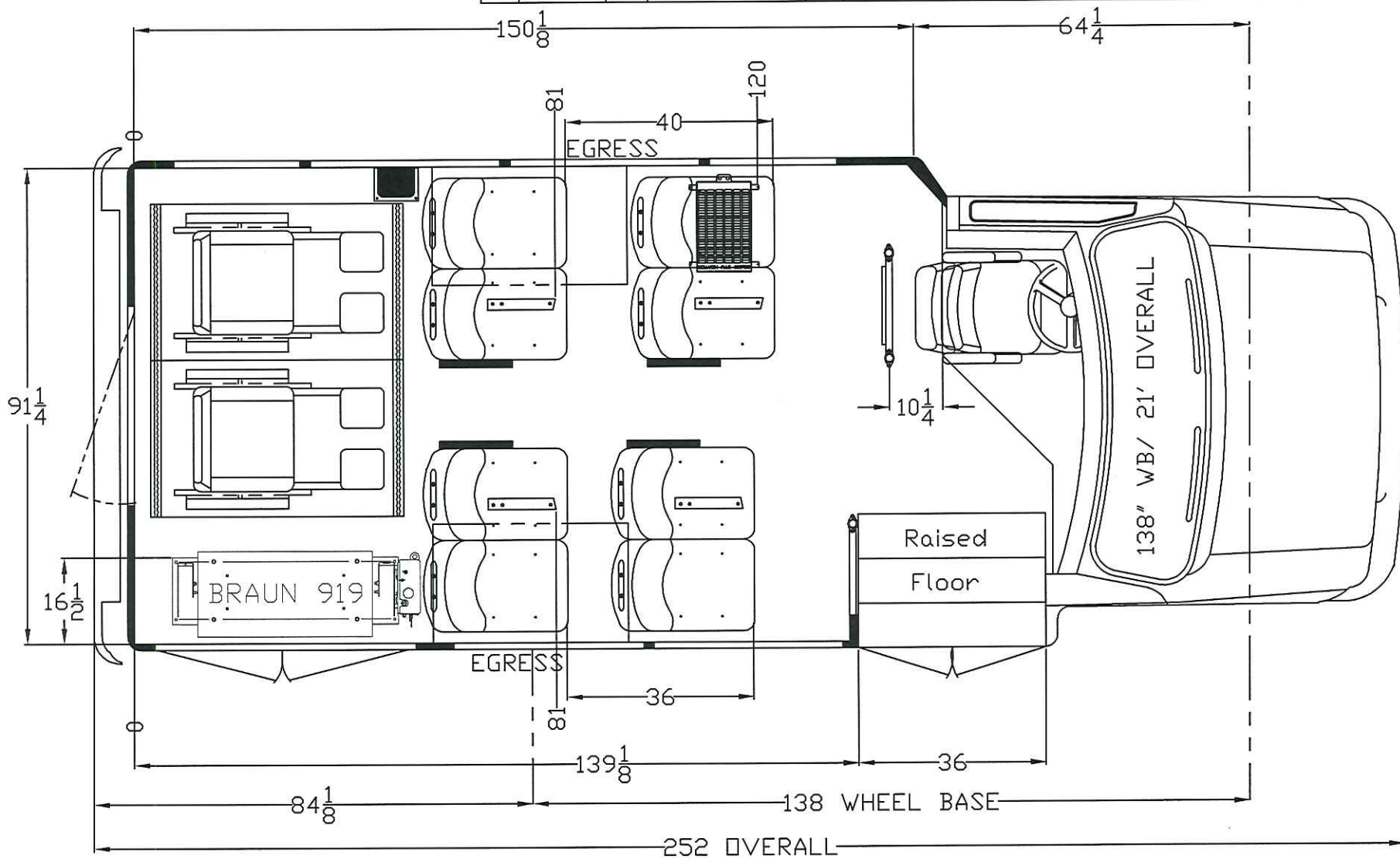




REV	DATE	BY	DESCRIPTION	REV	DATE	BY	DESCRIPTION	REV	DATE	BY	DESCRIPTION
-	-	-	-	-	-	-	-	-	-	-	-



DEALER SIGNATURE: *Diane Krueger*

Q-42-011520-03

DO NOT SCALE	PROJECTION	DESCRIPTION				57490 County Road 3		
		Floor plan ECCW 138-252 Rear lift (Braun 919) Raised Floor 8P/2WC/3pt				Elkhart, IN 46517		
SIZE A	W.I. NUMBER	DATE:	SCALE:	REFERENCE:	SHEET 1 OF 1		900-12-0467 PART NUMBER	
		1-16-20	N.T.S.	NUMBER				
	THIS DOCUMENT AND THE INFORMATION CONTAINED HEREIN ARE THE EXCLUSIVE PROPERTY OF ELKHART COACH IT SHALL NOT BE COPIED OR DUPLICATED IN ANY MANNER, NOR SHALL IT BE SUBMITTED TO OUTSIDE PARTIES FOR EXAMINATION WITHOUT OUR WRITTEN CONSENT. IT IS LOANED FOR USE WITH REFERENCE TO WORK UNDER CONTRACT WITH, OR PROPOSALS SUBMITTED TO ELKHART COACH.							
TOLERANCES UNLESS OTHERWISE SPECIFIED ARE: FLOORPLANS ±7/8" ALL STRUCTURAL ±1/8" ANGLE ±1°						DRAWN BY: NPM CHECKED BY:		REV -