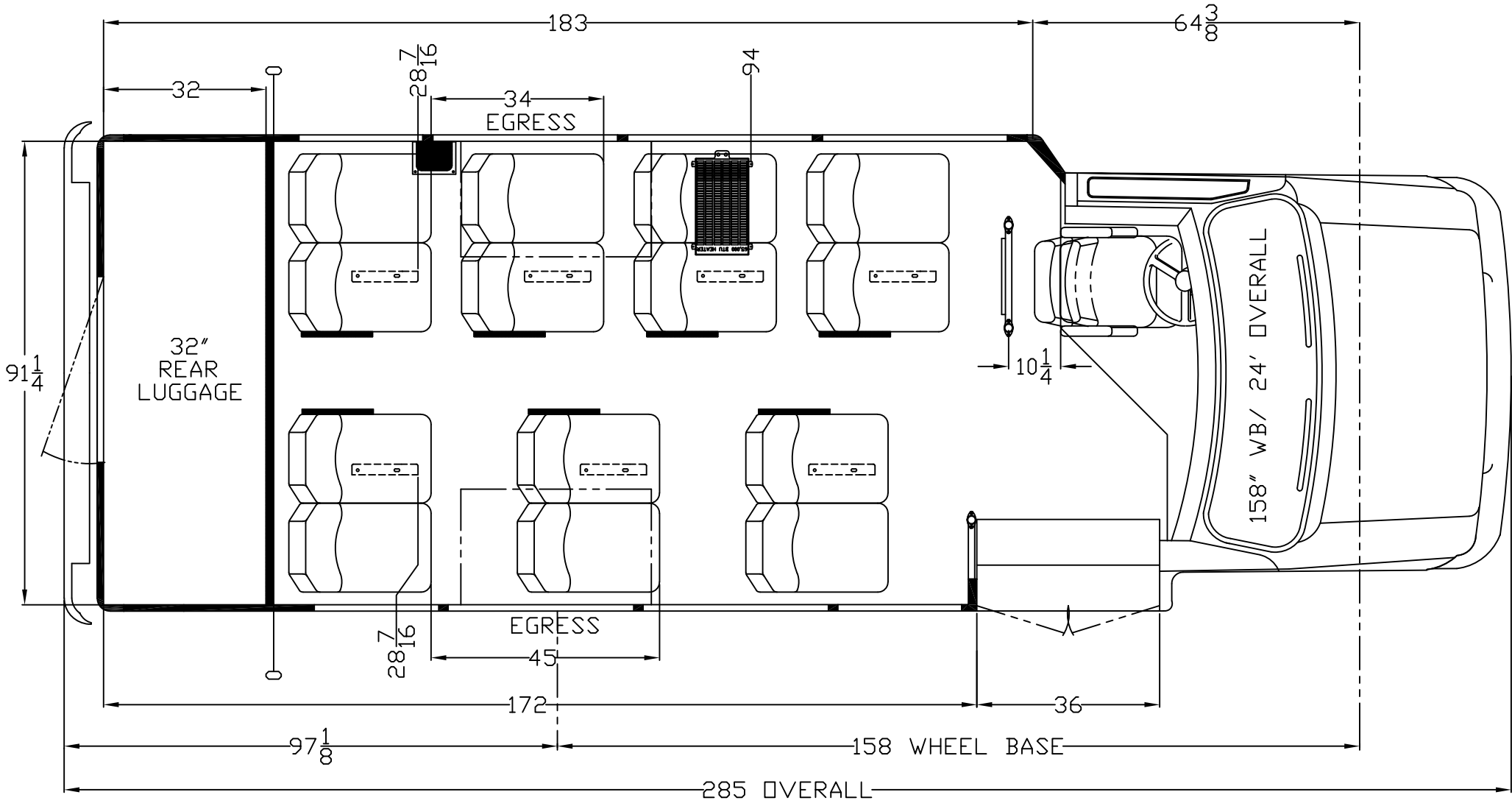


REV	DATE	BY	DESCRIPTION	REV	DATE	BY	DESCRIPTION	REV	DATE	BY	DESCRIPTION
-	-	-	-	-	-	-	-	-	-	-	-



DEALER SIGNATURE: _____

Q-42-082021-02

DO NOT SCALE	PROJECTION	DESCRIPTION				914 County Road 1 North Elkhart, IN 46514 (574) 327-2700 A DIVISION OF FOREST RIVER		
		Floor plan ECCW 158-285 all passenger standard floor 14P / 32" rear Luggage						
SIZE A	W.I. NUMBER	DATE:	SCALE:	REFERENCE:	SHEET 1 OF 1		PART NUMBER	REV
		5/18/07	N.T.S.	NUMBER				
THIS DOCUMENT AND THE INFORMATION CONTAINED HEREIN ARE THE EXCLUSIVE PROPERTY OF ELKHART COACH IT SHALL NOT BE COPIED OR DUPLICATED IN ANY MANNER, NOR SHALL IT BE SUBMITTED TO OUTSIDE PARTIES FOR EXAMINATION WITHOUT OUR WRITTEN CONSENT. IT IS LOANED FOR USE WITH REFERENCE TO WORK UNDER CONTRACT WITH, OR PROPOSALS SUBMITTED TO ELKHART COACH		TOLERANCES UNLESS OTHERWISE SPECIFIED ARE: FLOORPLANS ±7/8" ALL STRUCTURAL ±1/8" ANGLE ±1°						